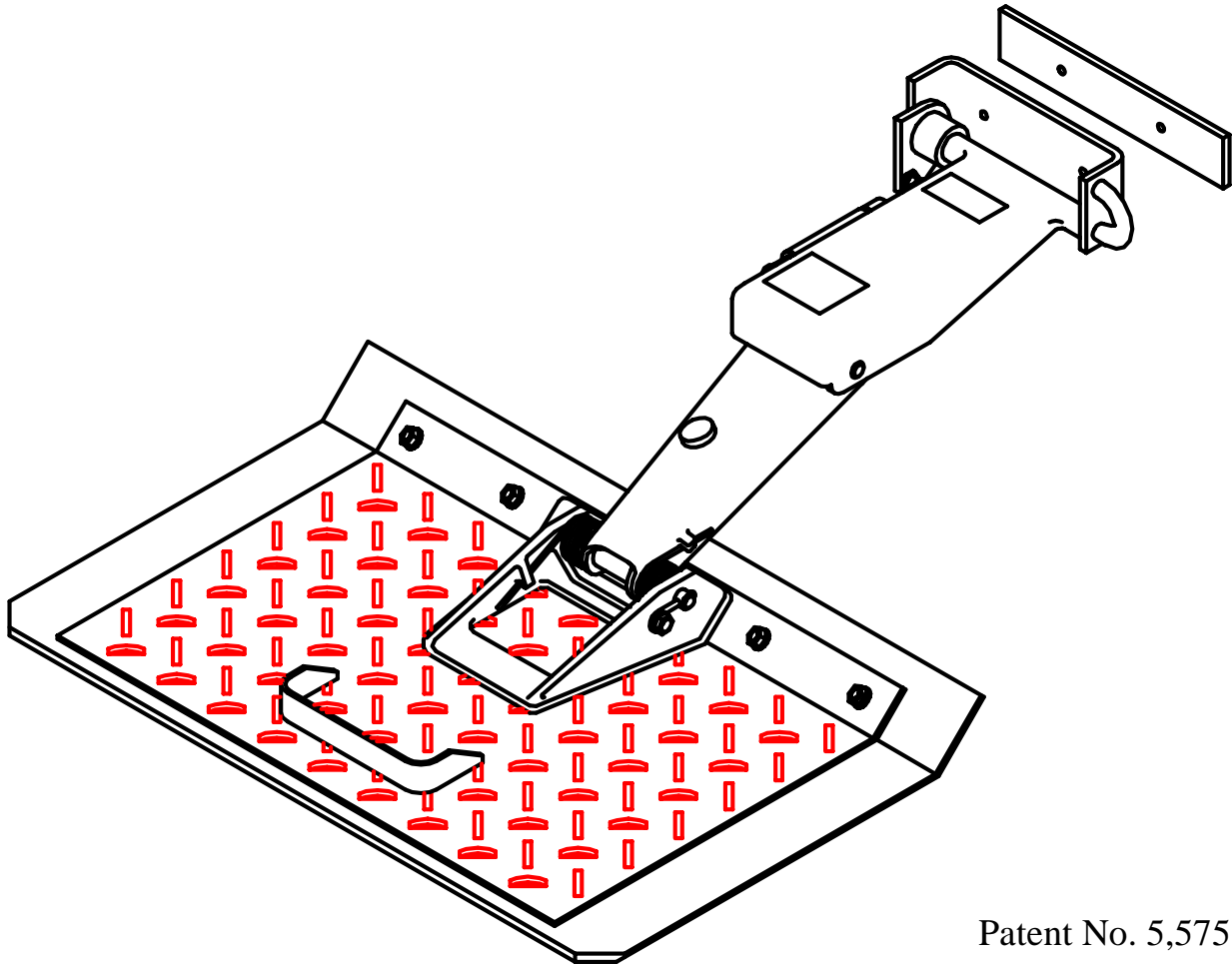


Proslide[®]

Retracting Slider

Installation and User Manual

Thank you for purchasing the Proslide Retracting Slider.



Patent No. 5,575,140

Please read before using.

This manual will help you get maximum performance from your slider.

Novae

Installation

1. Using the backing plate as a pattern, place two holes in the rear of the mower frame.

1. **Mark the center** of the backing plate.
2. Mark the center of the mower frame at the lower edge.
3. Fit the backing plate to the inside of the mower frame and note its vertical position relative to the lower edge of the frame.
4. Clamp the backing plate to the outside of the mower frame, in the same vertical position as noted, aligning the center marks. Be sure it is level.
5. **Protect the drive belts** by clamping a metal bar to the inside of the frame with a 1/4" spacer to allow clearance for the drill.
6. **Drill two 25/64" holes** in the mower frame through the backing plate holes.
7. Remove the backing plate.

2. Bolt the backing plate and mounting bracket on opposite sides of the frame.

1. Place the backing plate inside the mower frame and insert a mounting bolt through backing plate and frame.
2. Place the mounting bracket on the bolt and follow with a flat washer, lock washer and nut.
3. Insert the other mounting bolt, washers, and nut in the same manner and tighten both.

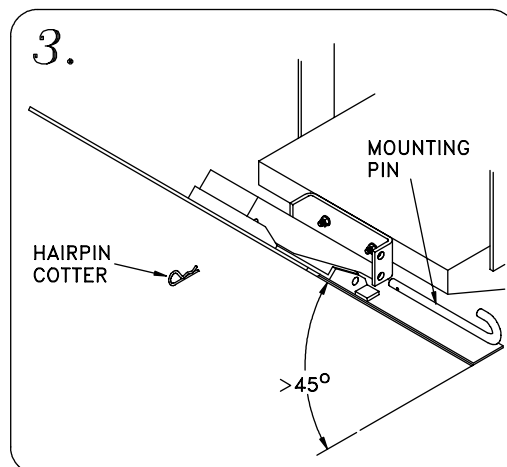
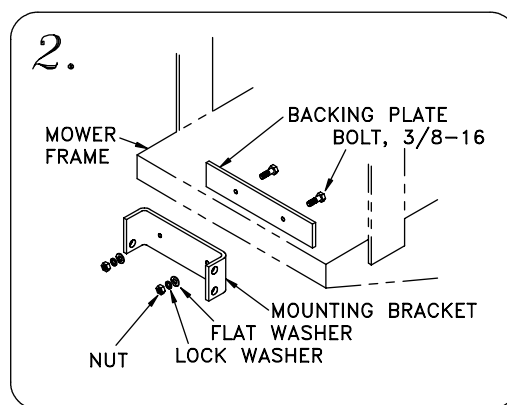
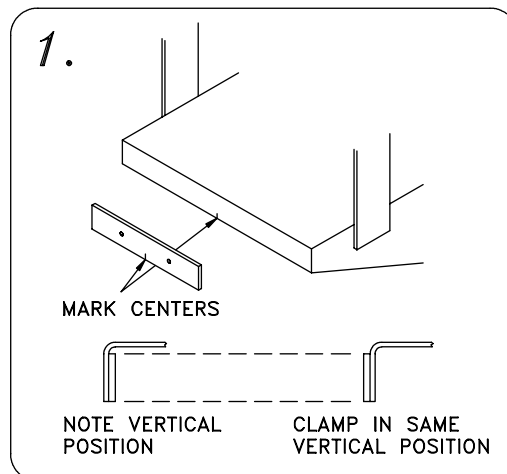
3. Insert the connecting pin.

- 1 Push the pin through the mounting bracket while holding the Proslide in place at more than 45 degrees.
- 2 Insert the hairpin cotter to retain the mounting pin.

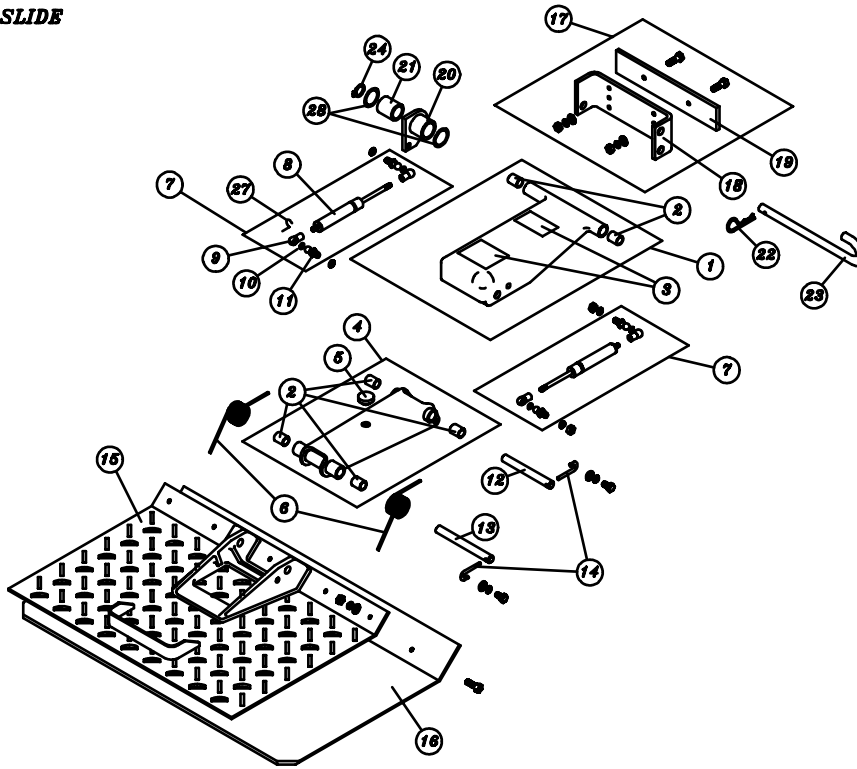
Important Notes:

Not all mowers require the use of the 102027 backing plate. Mowers with short U-shaped rear frames have sufficient strength and do not require the backing plate. Use the backing plate on all mowers with adequate clearance.

- Honda hydro- Installation on the height adjustment bar requires the 102411 U-bolt kit.
- Ferris- Not recommended for use with single drive hydrostatic mowers. Installation on Ferris belt drive mowers requires adapter 102420.
- Kees hydro- The metal belt guard must be remounted after installation.

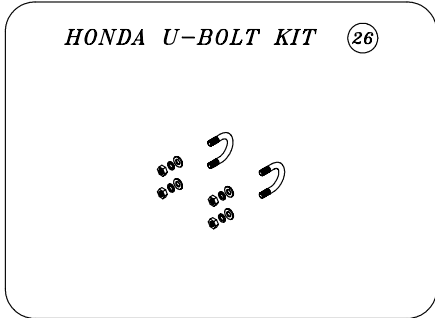
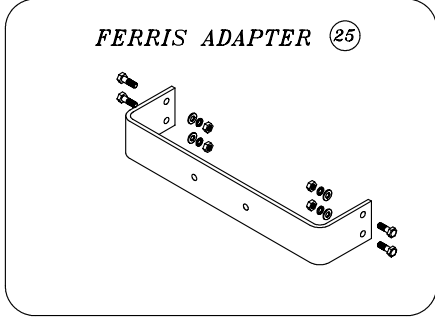


PROSLIDE



Ref. #	Part No.	Description	Qty./Unit
1	102500	Upper arm assembly (includes bearings)	1
2	102007	Self lubricated bronze bearing	6
3	102043	Decal set	1
4	102100	Lower arm assembly (includes bearings)	1
5	102044	Bumper stop	1
6	102016	Torsion spring, left and right	1
7	102028	Gas spring assembly	2
8	102047	Gas spring	2
9	102045	Ball socket	4
10	102046	Ball joint seal	4
11	102032	Ball stud	4
12	102011	Center joint pin	1
13	102012	Deck joint pin	1
14	102017	Pin retainer	2
15	102201	Foot plate	1
16	102015	Wear plate	1
17	102400	Mounting bracket assy (incl. back plate, bolts)	1
18	102026	Mounting bracket	1
19	102027	Backing plate	1
20	102402	Lift spring arm	1
21	102095	Bushing, lift spring arm	1
22	102042	Hairpin cotter	1
23	102050	Connecting pin	1
24	102051	Snap ring	1
25	102420	Ferris adapter (includes mounting bolts)	Optional
26	102411	Honda U-bolt kit	Optional
27	102052	Gas spring safety clip	4
28	102053	Machine washer	2

Specifications are subject to change without notice



Use and Maintenance

- All pinned joints have self-lubricated bronze bushings. No maintenance is required. See warranty below.
- The gas spring ball joints require grease periodically (300-500 hours). Remove the safety clip then separate the joint by forcing it apart. Place grease in the ball socket and replace the O-ring seal if it is damaged. Reassemble by forcing the joint together, wipe off excess grease. Reinstall the safety clip.
- Replace the wear plate as needed. Under normal operating conditions, it will last 500 to 1000 hours. Riding the Proslide over concrete or asphalt surfaces will significantly reduce the life of the wear plate.
- When stepping off of the Proslide, briefly leave your foot above the foot plate until it is about ½ retracted to prevent the foot plate from slamming into the upper arm.

Warning!

- ◇ Do not use the Proslide with a mower that has modified safety mechanisms. All operator presence safety devices must be in place and working!
- ◇ Do not stop suddenly when traveling down hills. Sudden retraction can occur.
- ◇ Exercise caution when using the Proslide on wet surfaces, sudden stops can cause unexpected retraction.
- ◇ Do not stand in the center of the foot plate.
- ◇ Keep hands and feet out of the retracting arm.

Warranty Information

Limited one year warranty: This Proslide is warranted to be free from defects in materials and workmanship for one year from the original purchase date. This warranty is not transferable and is extended only to the original owner. Proof of purchase is required.

Lifetime bearing warranty: The oil-filled bronze bearings are unconditionally warranted for the life of the Proslide. Contact your dealer or Novae Corp. and new bearings will be provided. Installation labor is not covered under this warranty.

Limitations: The wear plate is not covered under this warranty. The gas springs are covered by a two-year limited warranty from the date of manufacture.

This warranty does not cover: -Normal wear and tear. -Accident, misuse, abuse, neglect, improper maintenance or installation.

Incidental or consequential damages: Novae Corporation's obligation under this warranty is limited to replacing or repairing defective parts and in no event shall the manufacturer be liable for incidental or consequential damages. Some states do not allow the exclusion or limitation of incidental or consequential damages so this limitation may not apply.

Consumer rights under law: This warranty gives the consumer specific legal rights. The consumer may also have rights that vary from state to state.

No other warranties are expressed or implied.

Novae Corp.

PO Box 7, 13531 David Drive, Unit 1, Grabill, IN 46741 (800) 372-1755

Proslide® is a registered trademark of Novae Corp.

©2000 Novae Corp. All Rights Reserved